

Logic™
Leading
the
Evolution
Through Resposable® Technology

Experts for medical co-operations. **hcp+**



Enter >

Laparoscopic Instrumentation System

 **Surgical
Innovations**
Transforming Surgery Together



For over 30 years Surgical Innovations have been at the forefront of Minimally Invasive Surgery.

As surgical techniques continue to evolve, the demand for solutions which align to those advancements is key, whilst reducing the **impact on the environment**, as societally we become more aware of the footprint the provision of healthcare generates.

A comprehensive range of Laparoscopic Grasping Forceps and Dissectors, with a **durable** three-piece construct. This fully reusable system delivers a modular and ergonomic concept, ensuring Clinicians have a **seamless user experience**.

Logic™ also presents healthcare providers with an opportunity to **reduce investments**, streamline instrumentation sets and optimise inventory levels, as it adopts our cross compatible handle range.

[Logic™ Evolution >](#)





Reusable Technology



Variety of working lengths available in 235mm, 305mm & 355mm respectively.

20 instrument patterns to choose from.

Easy to control with 360° rotation.

Ratchet & Non-Ratchet options available.

Ergonomic design.





Short Fenestrated Grasper



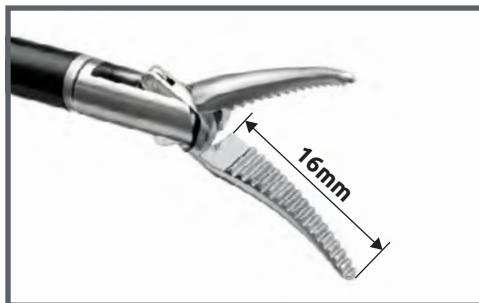
Product Code	Working Length
101-47020	235mm
101-48020	305mm
101-49020	355mm

Long Fenestrated Grasper



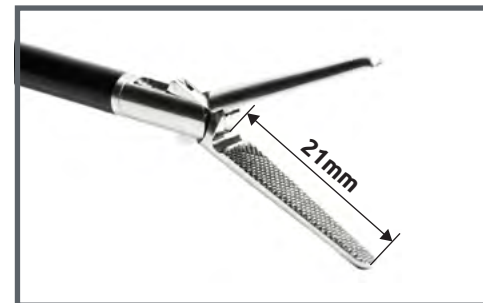
Product Code	Working Length
101-47021	235mm
101-48021	305mm
101-49021	355mm

Curved Dissector



Product Code	Working Length
101-47022	235mm
101-48022	305mm
101-49022	355mm

Needle Nose Grasper



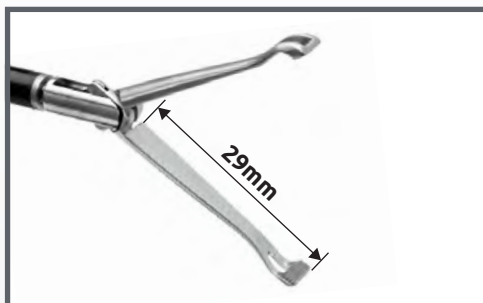
Product Code	Working Length
101-47023	235mm
101-48023	305mm
101-49023	355mm

Maxi Grasper



Product Code	Working Length
101-47026	235mm
101-48026	305mm
101-49026	355mm

Babcock Grasper



Product Code	Working Length
101-47027	235mm
101-48027	305mm
101-49027	355mm

Allis Forceps



Product Code	Working Length
101-47028	235mm
101-48028	305mm
101-49028	355mm

Petelin Forceps



Product Code	Working Length
101-47029	235mm
101-48029	305mm
101-49029	355mm



Single Action Grasper



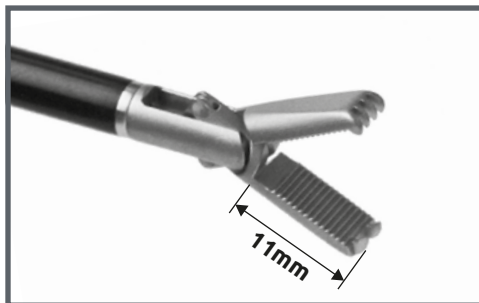
Product Code	Working Length
101-47034	235mm
101-48034	305mm
101-49034	355mm

Fine Tooth Forceps



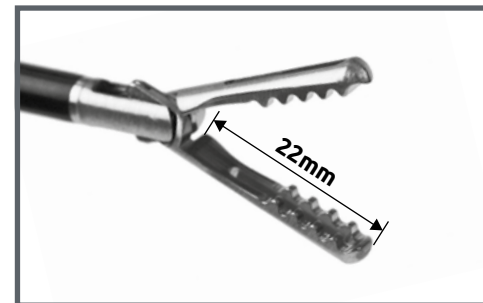
Product Code	Working Length
101-47037	235mm
101-48037	305mm
101-49037	355mm

Cobra Grasping Forceps



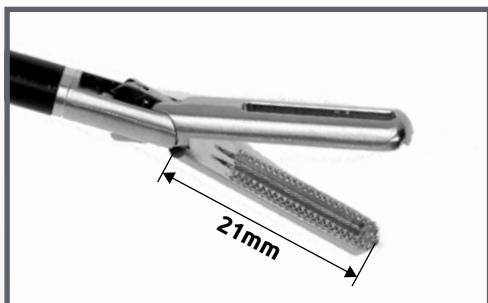
Product Code	Working Length
101-47039	235mm
101-48039	305mm
101-49039	355mm

Clinch



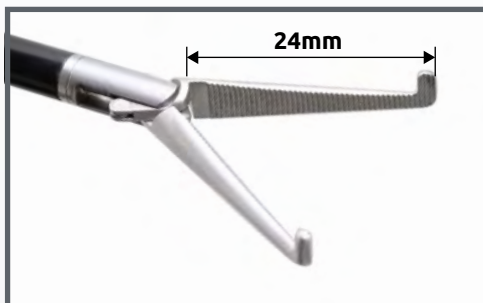
Product Code	Working Length
101-47040	235mm
101-48040	305mm
101-49040	355mm

Hunter Bowel Grasper



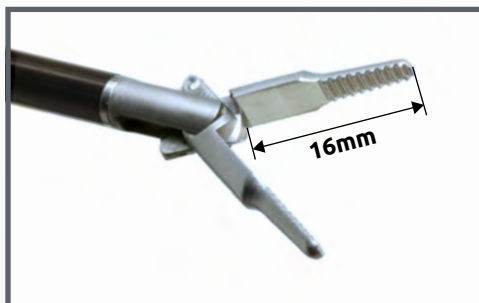
Product Code	Working Length
101-47042	235mm
101-48042	305mm
101-49042	355mm

Right Angle Dissector



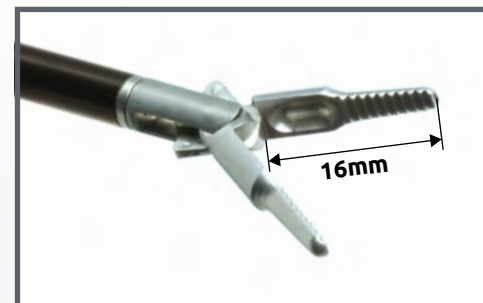
Product Code	Working Length
101-47045	235mm
101-48045	305mm
101-49045	355mm

Dolphin Nose Grasper



Product Code	Working Length
101-47046	235mm
101-48046	305mm
101-49046	355mm

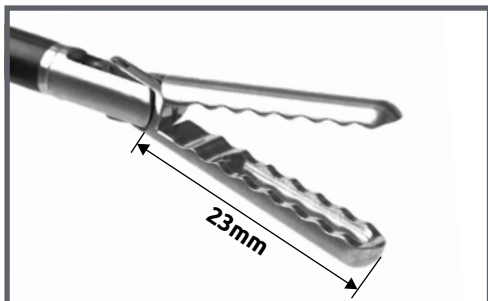
Dolphin Nose Grasper (with cup)



Product Code	Working Length
101-47047	235mm
101-48047	305mm
101-49047	355mm



Taper Wave Grasper



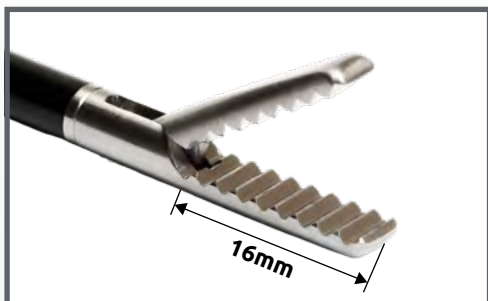
Product Code	Working Length
101-47048	235mm
101-48048	305mm
101-49048	355mm

Duckbill Forceps



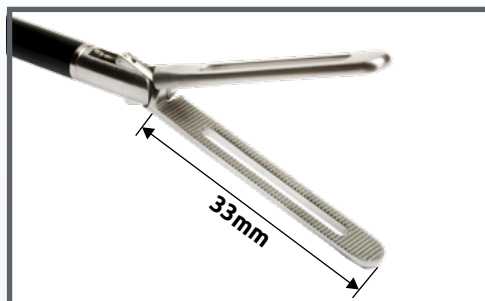
Product Code	Working Length
101-47032	235mm
101-48032	305mm
101-49032	355mm

Crocodile Grasper



Product Code	Working Length
101-47033	235mm
101-48033	305mm
101-49033	355mm

Extra Long Fenestrated Grasper



Product Code	Working Length
101-47035	235mm
101-48035	305mm
101-49035	355mm

Accessories

Tube and Nut (required for use)



Product Code	Working Length
101-47100	235mm
101-48100	305mm
101-49100	355mm



Horizontal Handle



Product Code	Working Length
101-41000	N/A

Horizontal Handle (with ratchet)



Product Code	Working Length
101-42000	N/A

Pistol Grip Handle



Product Code	Working Length
101-43000	N/A

Pistol Grip Handle (with ratchet)



Product Code	Working Length
101-44000	N/A



 **Surgical
Innovations**
Transforming Surgery Together

 Clayton Wood House, 6 Clayton
Wood Bank, Leeds, LS16 6QZ, UK

 +44 113 230 7597

 si@surginno.co.uk

 www.surginno.com

Contact Austria:

HCP Healthcarepartner GmbH
Wolfgangsee Straße 26, 5023 Salzburg-Guggenthal, Österreich
T +43 (0)662/62 12 43 • F -11 • office@hcp-austria.com

hcp-austria.com